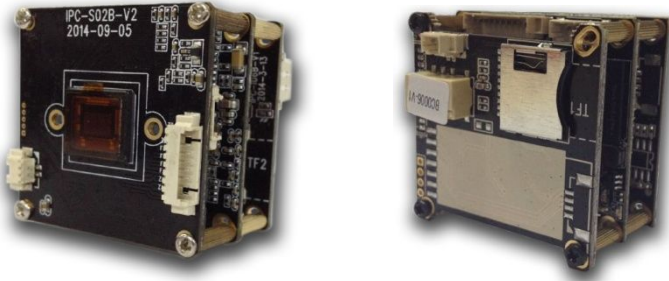


IP3904S

2.0 megapixel WDR 3 Boards IP Camera Module, Hi3516A + PANASONIC 34229 CMOS

1/3" 2.0 Megapixels Progressive Scan Panasonic 34229 CMOS, Hisilicon Hi3516A Chipset, the highest resolution of 1920*1080, 0.05 Lux@F1.2 (color), 0.01 Lux@F1.2 (black and white); 38X38mm 3 boards; RS422/RS485, TF card slot, IR - CUT (day/night), adapt Bullet, Dome; H.264 or H.265 video coding, double stream, ONVIF 2.4, be compatible many NVR and platform management software.



Features

- > Hisilicon Hi3516A
- > 1/3" 2.0 Megapixels Progressive Scan Panasonic 34229 CMOS
- > Max 25/30fps@2.0 Megapixels (1920x1080)
- > H.264/H.265 & MJPEG dual-stream encoding
- > Privacy Mask, Motion Detection
- > Support Onvif 2.4 protocol
- > TF Card Slot
- > WDR ≥ 120dB

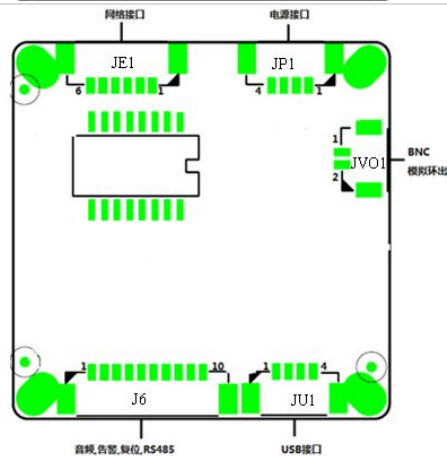
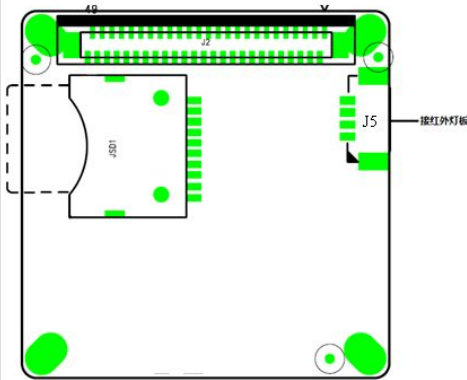
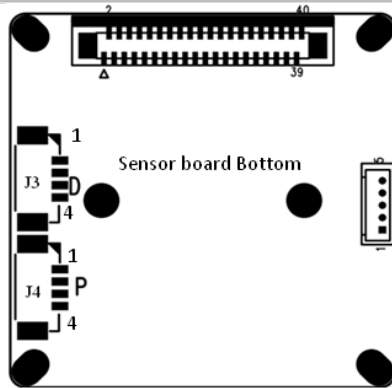
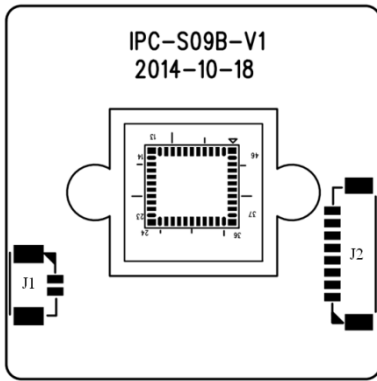
Specifications

Model	IP3904S
Camera	
Image Sensor	1/3" 2.0 megapixels Progressive Panasonic 34229 CMOS
CPU	Hisilicon 3516A
Effective Pixels	1920(H)x1080(V)
Scanning System	Progressive
Electronic Shutter Speed	Auto (1/25 ~ 1/10000s)
Min. Illumination	0.05 Lux@F1.2 (color), 0.01 Lux@F1.2 (black and white)
S/N Ratio	≥50db(AGC OFF)
Camera Features	
Day/Night	Auto(ICR)/Color/B/W
WDR	≥ 120dB
White Balance	Auto
Gain Control	Auto
Noise Reduction	3D
Privacy Masking	Up to 4 areas
Video	

Compression	H.264/MJPEG/H.265	
Resolution	1080P(1920×1080)/720P(1280×720)/D1(704×576)/VGA(640*480)/QVGA(320×240)	
Frame Rate	Main Stream	1920×1080(1 ~ 25/30fps), 1280×720(1 ~ 25/30fps)
	Sub Stream	D1/VGA/QVGA(1 ~ 25/30fps)
Bit Rate	32KB ~16Mbps, support VBR, CBR	
Text Overlay	Channel, Date & Time, Bit Rate	
Network		
Data Storage	Video record, Picture format	
Trigger	Manual, Automatic(motion detection, alarm, schedule, cycle)	
Alarm data transmission	FTP, E-mail, Browser, CMS	
Protocol	TCP/IP、UDP、RTP、RTSP、RTCP、HTTP、DNS、DDNS、DHCP、FTP、NTP、PPPOE、SMTP、UPNP	
ONVIF	ONVIF 2.4	
Max. User Access	10 users, IE, Google, Firefox	
Smart Phone	Windows Mobile, iPhone, iPad, Android	
Auxiliary Interface		
Audio in	Support	
Audio out	Support	
BNC Video out	Support	
RS422/RS485	Support	
USB	Support (64G USB flash/WIFI/3G)	
Alarm in	Support	
Alarm out	Support	
IO Interface	Support(Reset)	
Memory Card	Max 64G TF Card	
General		
Power Supply	DC12V / PoE (802.3af)	
Power Consumption	<3W	
Working Environment	-20°C~+55°C , Less than 90% RH	
Dimensions	38 x 38 x 35mm	
Weight	0.2kg	

Connector

IP3904S-V1



JP1 Power Supply Connector

1	DC12V
2	CMT_R
3	CMT_T
4	GND

JE1 Network Connector

1	RJ45_1
2	RJ45_2
3	RJ45_3
4	RJ45_6
5	Network Connected Light (Green light)
6	Network Status Light (Yellow light)

J1 IR-cut Connector

1	IR-CUT Control Signal 3.3V
2	IR-CUT Control Signal 3.3V

J2 Motorized Lens Connector (Only AZ Series)

1	Zoom B-
2	Zoom B+
3	Focus B-
4	Focus B+
5	Focus A-
6	Focus A+
7	Zoom A-
8	Zoom A+

J3 DC Auto-iris Connector (Only For AZ Series)

1	Drive -
2	Damp-
3	Damp+
4	Drive +

J4 P-Iris Connector

1	IRIS B-
2	IRIS A+
3	IRIS B+
4	IRIS A-

J5 IR Light Board Connector

1	IR Light Board Power Supply (12V)
2	GND
3	IR Feedback Signal Input (0.8V-12V)
4	IC PWM Control

JVO1 BNC Video out

1	BNC Video out
2	GND

J6 Functions Connector

1	Audio In (MIC/ Line)
2	GND (Audio)
3	Audio Out
4	GND
5	IO Interface (Reset)
6	Alarm In
7	Alarm Out -
8	Alarm Out +
9	RS_485+
10	RS_485-

JU1

1	GND
2	USB_D-
3	USB_D+
4	5V Power Supply